



Installation Instructions for Kanto Upper and Lower Sauna Bench Elements

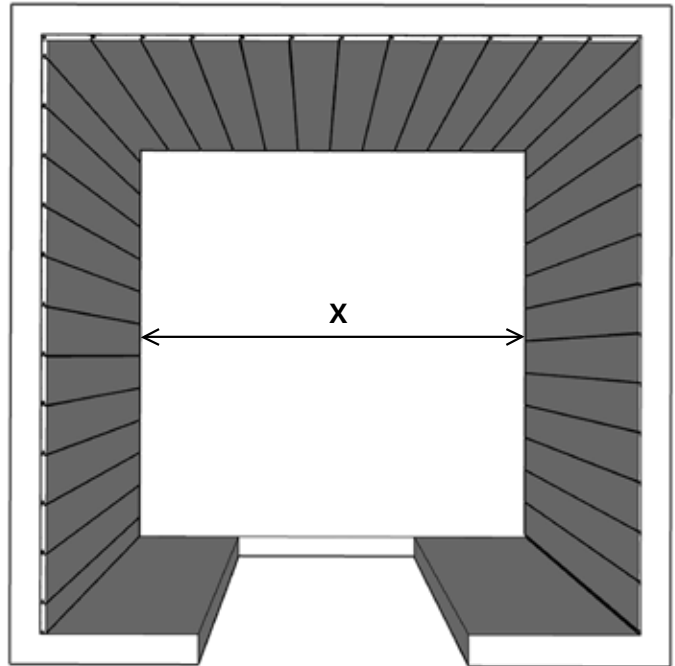
A high-quality and durable sauna bench made from Finnish heat-treated aspen. Pieksäwood KANTO bench elements are designed for easy installation, long service life, and a clean final result.



1. Before Installation

Measure the space where you plan to install the bench element. Ensure that there is at least a 3 mm gap on both sides between the wall and the bench element.

If the benches are to be treated with a surface or protective agent, do this before installation. Also remember to treat any shortened ends before installation.

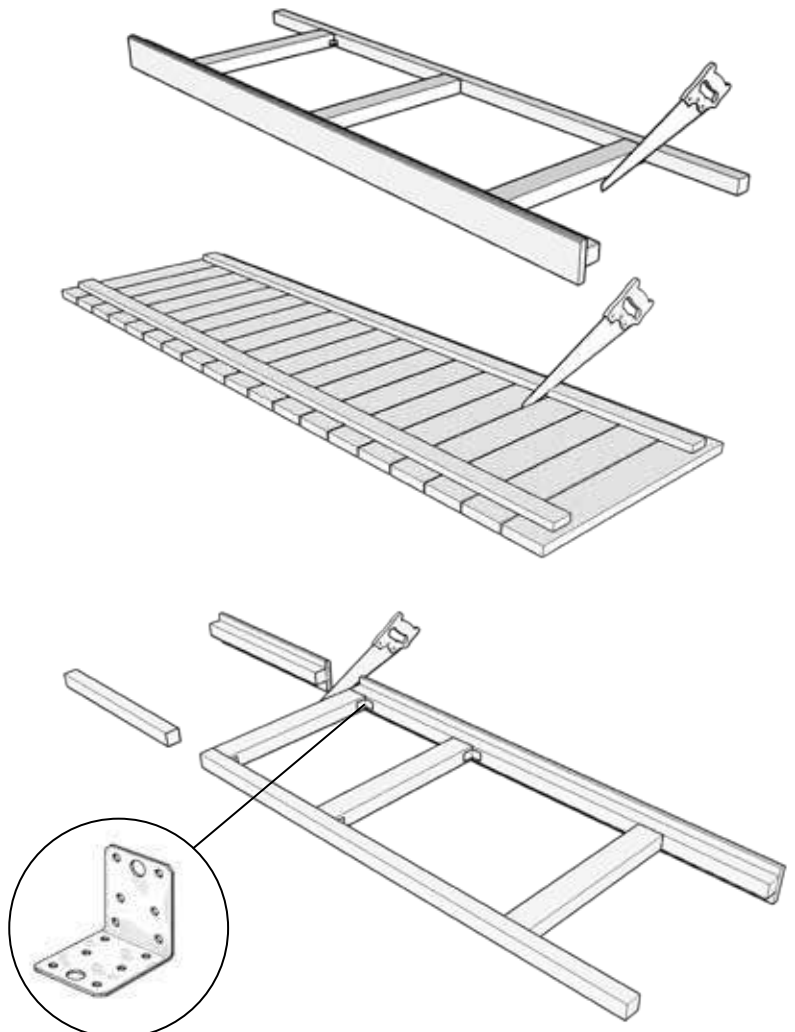


2. Shortening (if necessary)

You can easily shorten the bench by 160 mm from each end. In this case, saw the frame, front board, and bench grating to the correct length.

The bench can also be shortened more by repositioning the support beams and angle brackets. Remove the angle brackets and support beam, attach them to a new position, and cut the frame, front board, and bench grating to the desired size.

! Remember to treat the sawn end surfaces with an appropriate surface or protective agent before installation.



3. Attaching Supports to the Wall

Measure and check the bench height. Install the support beams in the correct orientation as shown in the image, with the support surface facing upward.

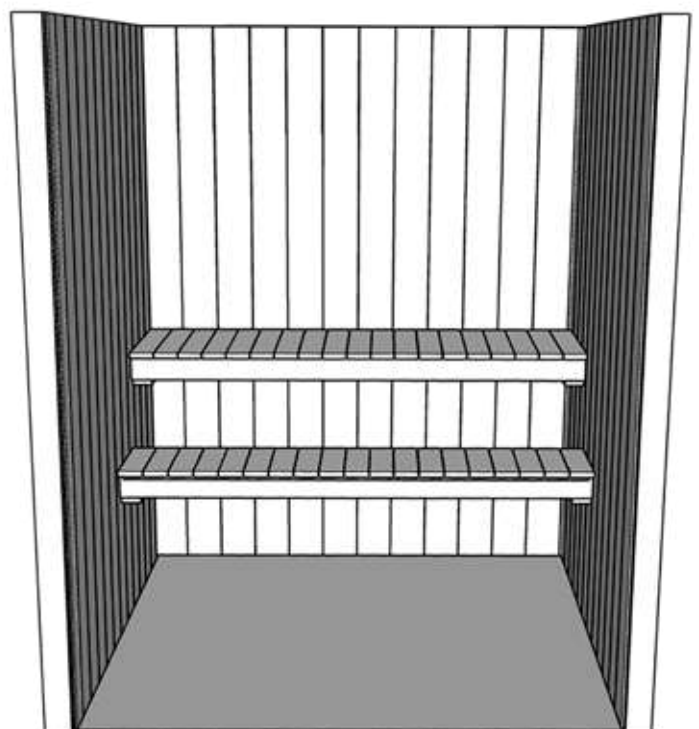
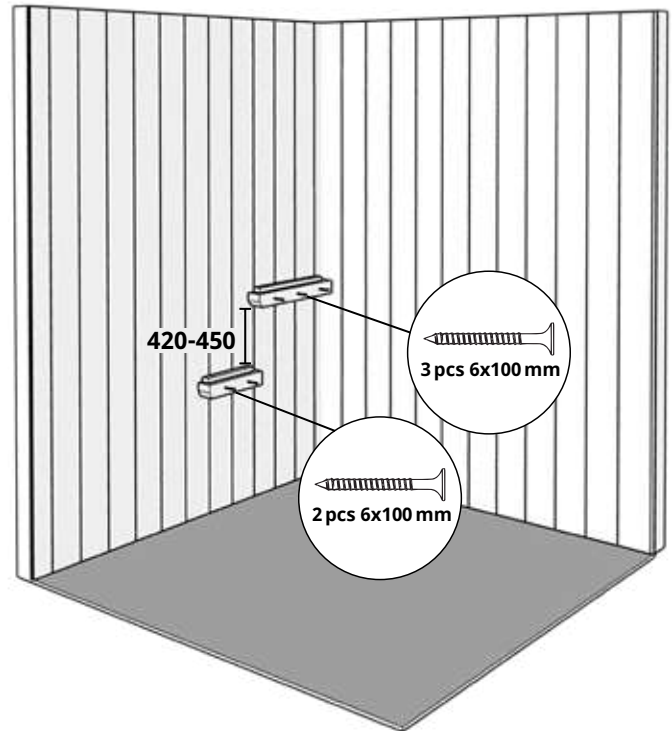
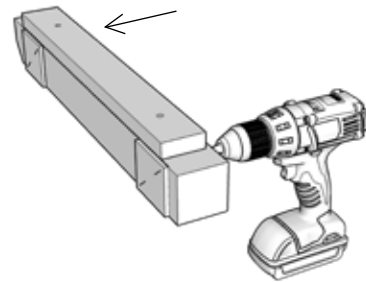
Ensure that the plywood spacers in the support beams remain between the wall and the support beam during installation. There should be approximately a 3 mm ventilation gap between the support beams and the wall. This gap is created by the plywood spacers.

Attach the supports to the wall framing using the screws included in the package. For the upper bench, use six screws (6×100 mm), and for the lower bench, use four screws (6×100 mm). The support beams have pre-drilled holes for fastening. When securing them, use three screws per support for the upper bench and two screws per support for the lower bench.

Recommended height for the upper bench is 1100–1150 mm from the ceiling. The lower bench should be placed 420–450 mm below the upper bench surface.

4. Lifting the Bench into Place

Lift the bench element onto the supports. Ensure that the bench grating sits properly on the supports and that the bench is firmly in place and does not move.



Contact Us

Email: info@pieksawood.fi

Phone: +358 40 580 5560

Follow us

   [pieksawood](#)

Pieksäwood

www.pieksawood.fi